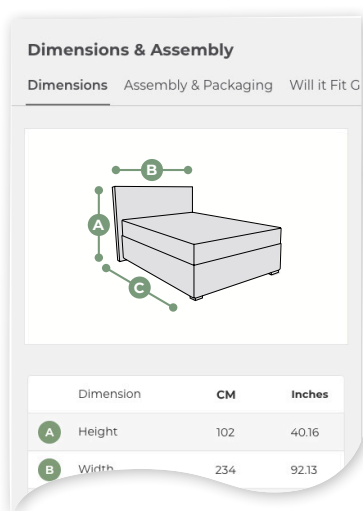


# WILL IT FIT GUIDE

Getting new furniture is exciting, and we want your delivery to go as smoothly as possible. That's why we've put together this easy-to-use measuring guide for you.

## Step 1 – Packaged and unpackaged measurements

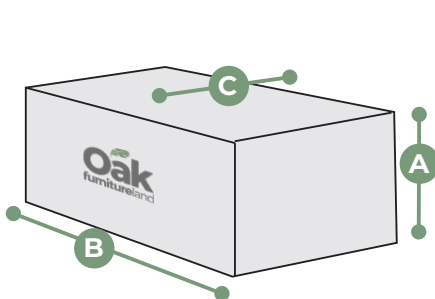
Find packaged and unpackaged dimensions for your chosen bed and/or mattress online on the corresponding product page and make a note of them all. All our beds require some degree of home assembly and some of our mattresses are delivered rolled up, it is therefore extremely important that you take note of both the packaged dimensions and the unpackaged dimensions of your chosen product/s.



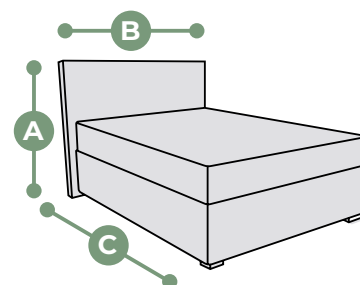
**Dimensions & Assembly**

Dimensions Assembly & Packaging Will it Fit G

Dimension	CM	Inches
A Height	102	40.16
B Width	234	92.13



A Height	
B Width	
C Depth	



A Height	
B Width	
C Depth	

## Step 2 – Your bed's route

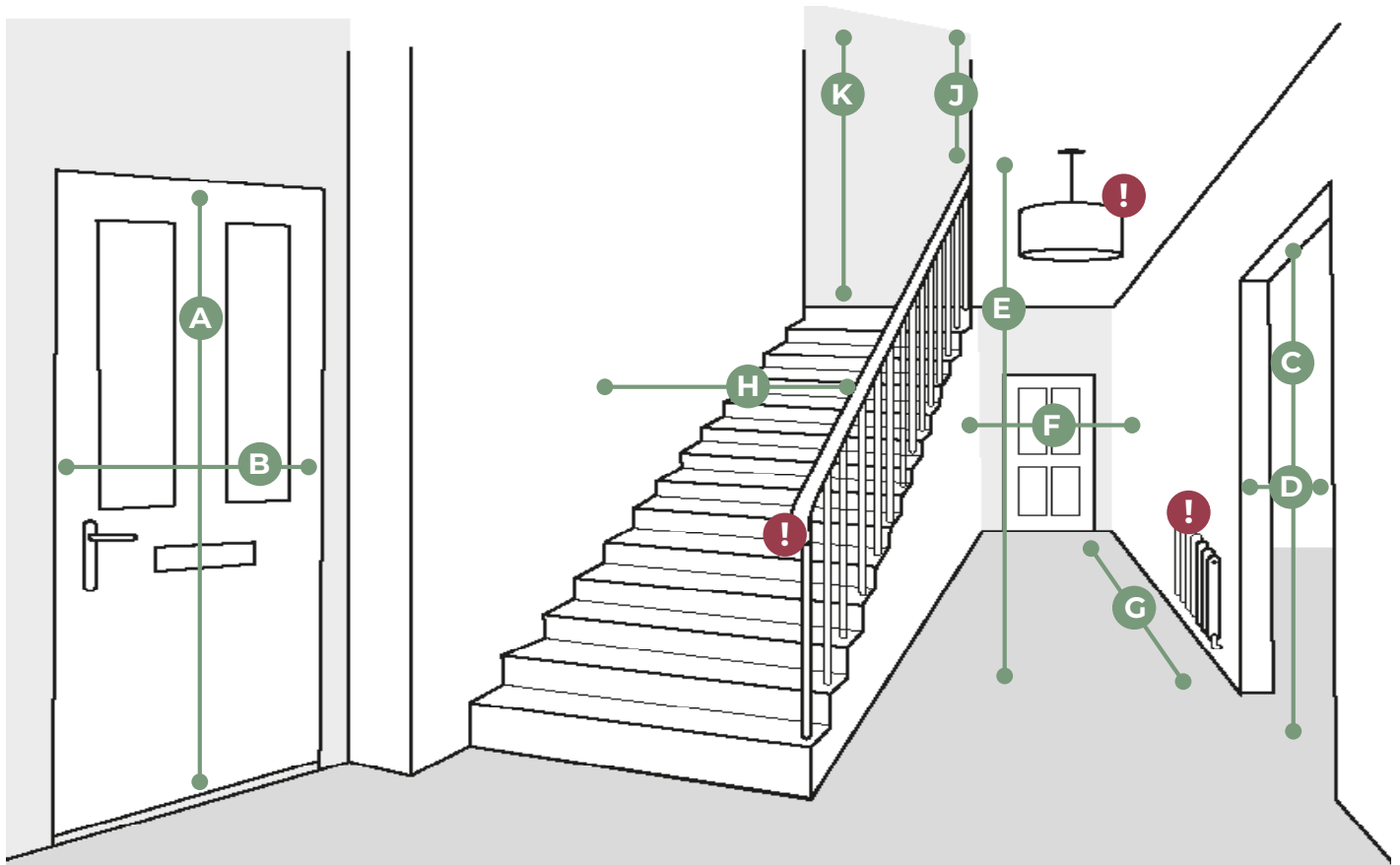
Take time to walk your bed/mattress's access route through your home and to your chosen room. Move any potential obstacles out of the way; take down wall art and low-hanging lampshades, move ornaments and side tables. It's also a good idea to cover floors to prevent any accidental scuffs. Measure the entire route your new furniture will take from your front door to your chosen room against the packaged dimensions. Then measure your bedroom against the unpackaged, assembled dimensions.

Boxes can be rotated to fit through tight turns as long as:

- a) the ceiling height is bigger than the depth of the box;
- b) the height of the box is smaller than the width of the gap.

**!** When you're measuring, take account of fixed obstacles such as radiators, wall shelves, light fittings or handrails. Our delivery teams cannot lift heavy packages over obstacles above waist height, so check your order will fit around bannisters.

## Step 3 – Record measurements



Doorways	
<b>A</b> Front door frame height:	
<b>B</b> Front door frame width:	
<b>C</b> Narrowest internal door frame height:	
<b>D</b> Narrowest internal door frame width:	
Hallways	
<b>E</b> Ceiling height at narrowest point:	
<b>F</b> Width at narrowest point:	
<b>G</b> Depth at narrowest point:	

Stairs	
<b>H</b> Narrowest stairway width:	
<b>J</b> Space between top of bannister and ceiling:	
<b>K</b> Floor to ceiling height on tight corners or stair return:	
Lifts	
Doorway height:	
Doorway width:	
Depth of lift:	

Remember, we have four delivery options: Doorstep Delivery, Room of Choice Delivery, Flexible Delivery and Premium Delivery. With Premium Delivery, we'll set up your furniture in your room of choice and then take the packaging away.

If you want to talk through anything in this guide, our Customer Service team is here to help on 0800 440 2254, 9am–6pm, Monday–Saturday.