



ASSEMBLY INSTRUCTIONS

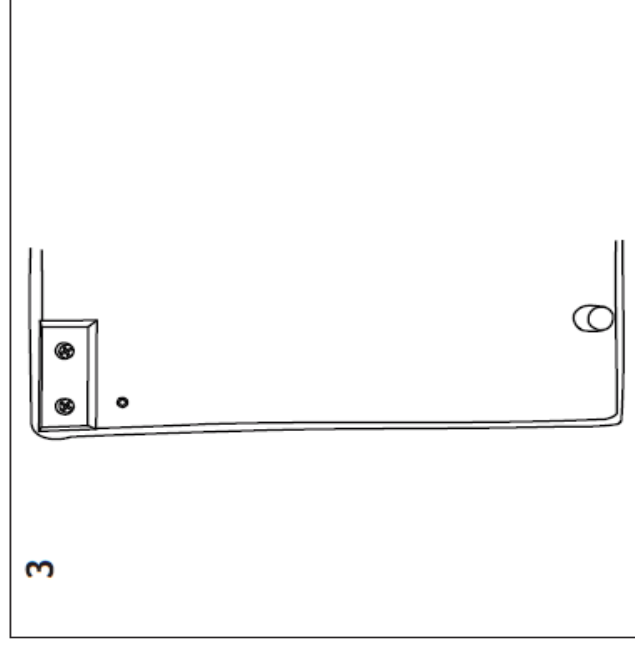
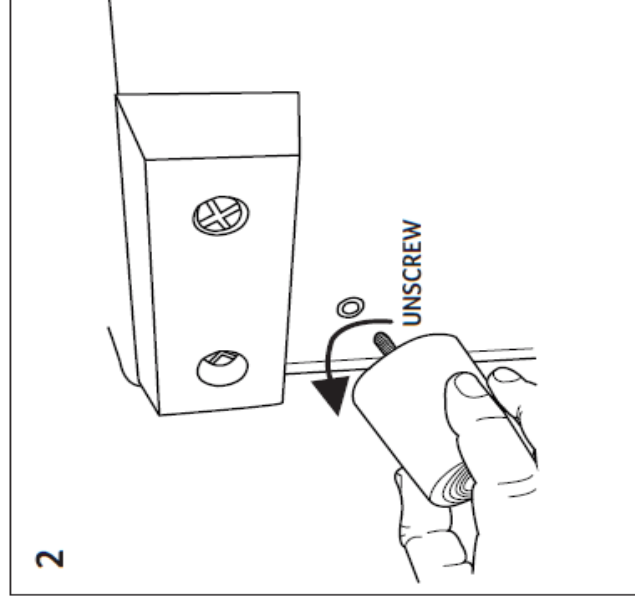
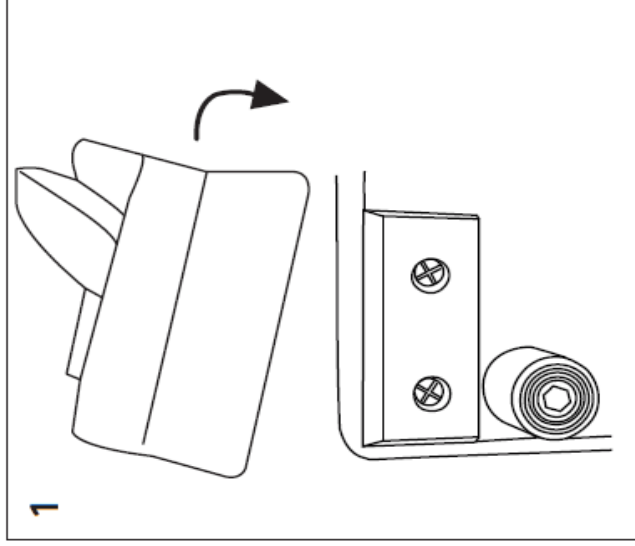
**NEBRASKA
ARMCHAIR**

TRAVEL GLIDE REMOVAL INSTRUCTIONS

FURNITURE IS HEAVY, MOVING OR LIFTING SHOULD NOT BE ATTEMPTED ON YOUR OWN

PLEASE NOTE: THIS PRODUCT IS FITTED WITH TRAVEL GLIDES FOR TRANSPORT PURPOSES ONLY. TRAVEL GLIDES MUST BE REMOVED AS FOLLOWS:

1. TILT UNIT ON ITS BACK
2. UNSCREW LARGE 70mm BLACK TRAVEL GLIDE
3. DO NOT REMOVE SMALL REAR BACK GLIDE





ASSEMBLY INSTRUCTIONS

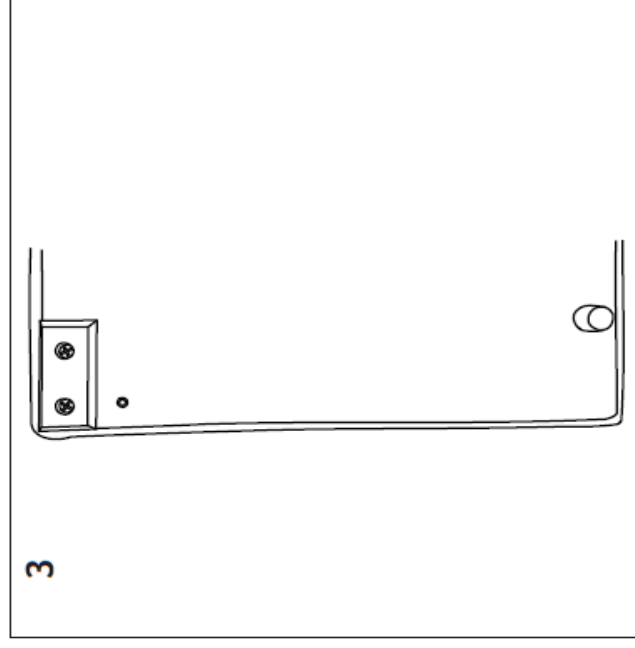
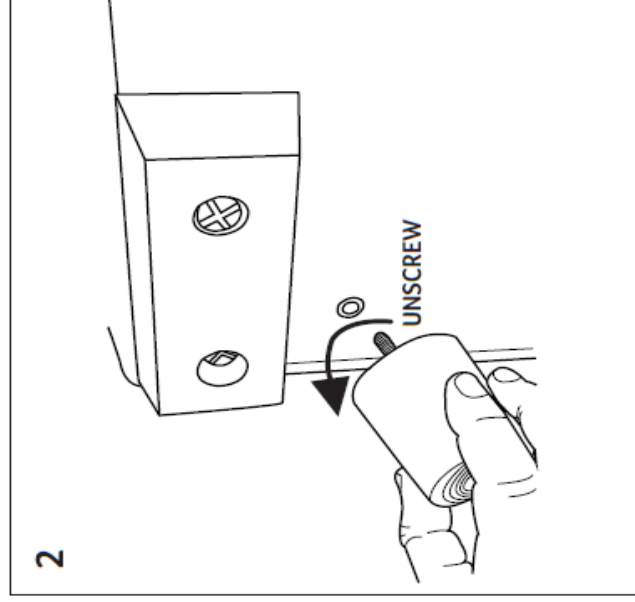
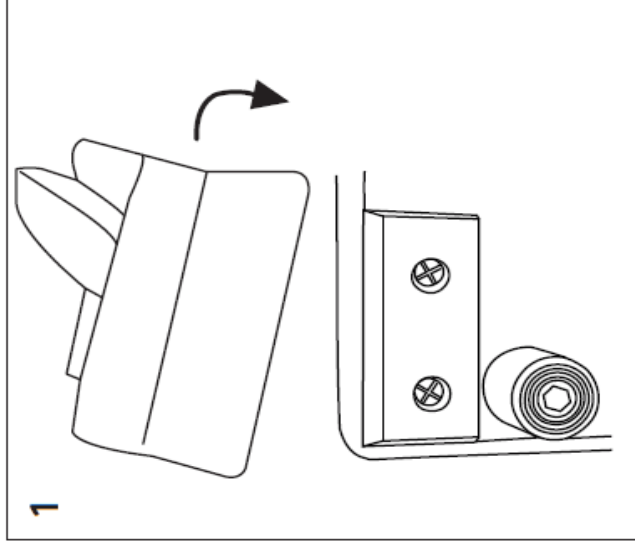
**NEBRASKA
2 SEATER SOFA**

TRAVEL GLIDE REMOVAL INSTRUCTIONS

FURNITURE IS HEAVY, MOVING OR LIFTING SHOULD NOT BE ATTEMPTED ON YOUR OWN

PLEASE NOTE: THIS PRODUCT IS FITTED WITH TRAVEL GLIDES FOR TRANSPORT PURPOSES ONLY. TRAVEL GLIDES MUST BE REMOVED AS FOLLOWS:

1. TILT UNIT ON ITS BACK
2. UNSCREW LARGE 70mm BLACK TRAVEL GLIDE
3. DO NOT REMOVE SMALL REAR BACK GLIDE





ASSEMBLY INSTRUCTIONS

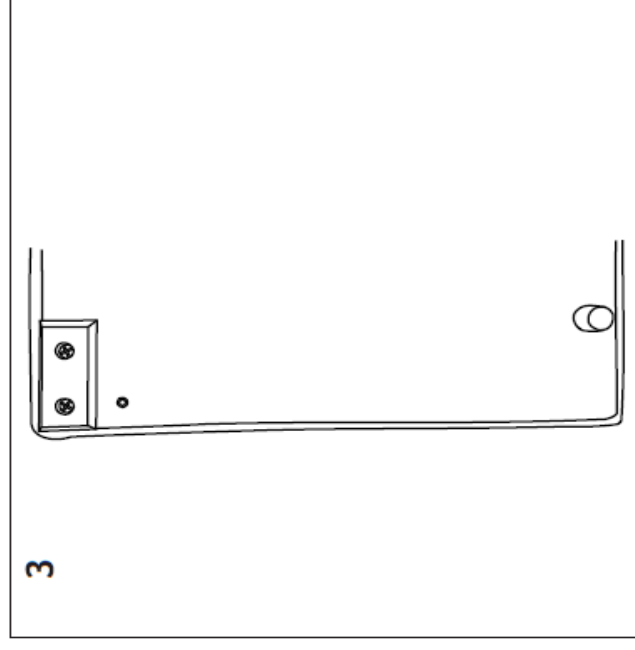
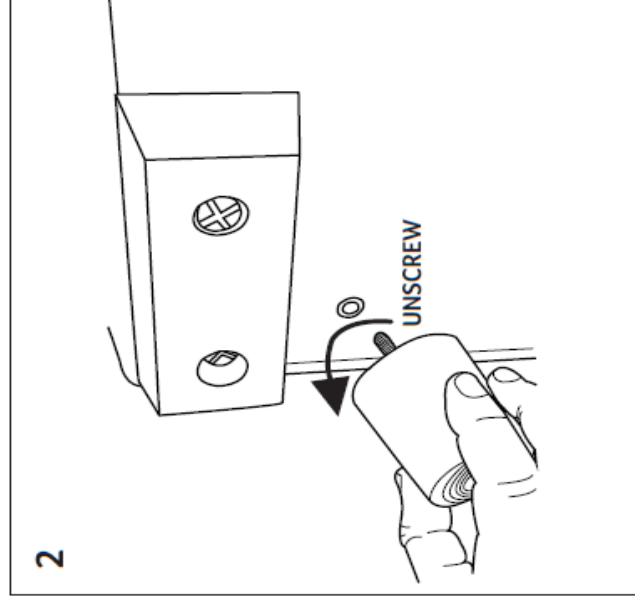
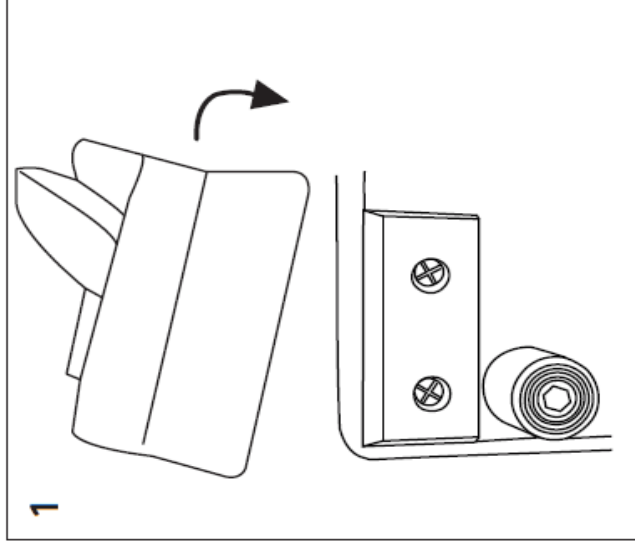
**NEBRASKA
3 SEATER SOFA**

TRAVEL GLIDE REMOVAL INSTRUCTIONS

FURNITURE IS HEAVY, MOVING OR LIFTING SHOULD NOT BE ATTEMPTED ON YOUR OWN

PLEASE NOTE: THIS PRODUCT IS FITTED WITH TRAVEL GLIDES FOR TRANSPORT PURPOSES ONLY. TRAVEL GLIDES MUST BE REMOVED AS FOLLOWS:

1. TILT UNIT ON ITS BACK
2. UNSCREW LARGE 70mm BLACK TRAVEL GLIDE
3. DO NOT REMOVE SMALL REAR BACK GLIDE





ASSEMBLY INSTRUCTIONS

**NEBRASKA
CORNER SOFA**

MODULAR UNITS - CLIPPING INSTRUCTIONS

FURNITURE IS HEAVY, MOVING OR LIFTING SHOULD NOT BE ATTEMPTED ON YOUR OWN

⚠️ TO UNCLIP YOUR UNITS PLEASE SKIP TO STAGE 4 ⚠️

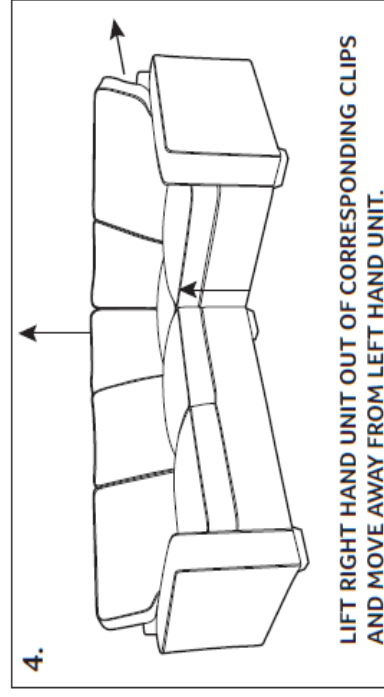
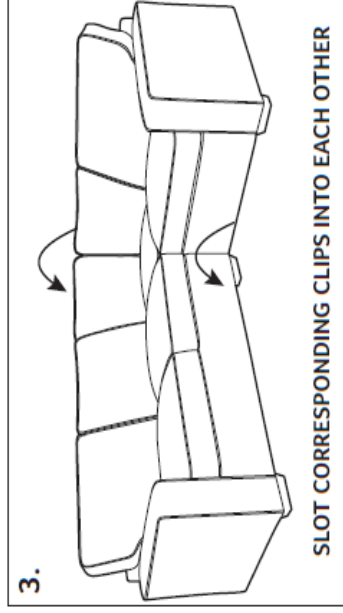
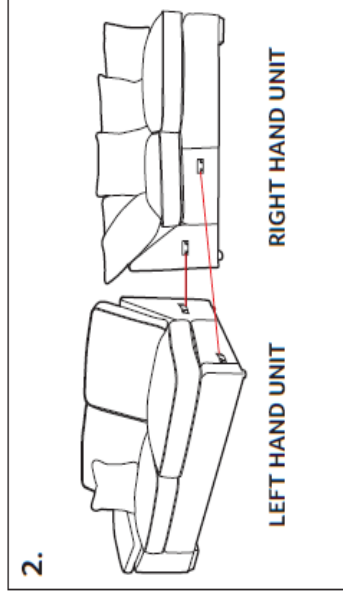
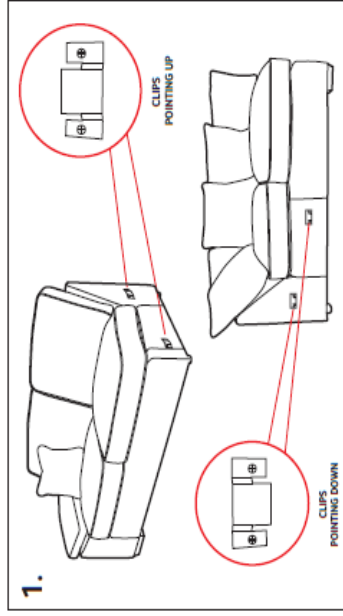
1. THERE ARE 2 SETS OF CLIPS ON YOUR MODULAR UNITS: CLIPS POINTING UP ARE ON LEFT HAND UNITS AND CLIPS POINTING DOWN ARE ON RIGHT HAND UNITS. LOCATE THESE CLIPS ON YOUR FURNITURE. LEFT AND RIGHT UNITS SHOWN BELOW.

2. LINE UP CORRESPONDING UPWARDS AND DOWNWARDS POINTING CLIPS BY PUSHING UNITS CLOSE TOGETHER.

⚠️ ALWAYS MOVE AND LIFT FURNITURE WITH ANOTHER PERSON, NEVER ON YOUR OWN ⚠️

3. LIFT RIGHT HAND UNIT AND SLOT DOWNWARDS CLIPS INTO UPWARDS CLIPS ON LEFT HAND UNIT. ALL FEET SHOULD BE LEVEL ON THE FLOOR WHEN FITTED CORRECTLY.

4. TO UNCLIP UNITS GENTLY LIFT THE RIGHT HAND UNIT OUT OF THE LEFT HAND CLIPS AND MOVE AWAY FROM OPPOSING UNIT.



EFFECTIVE FROM PRODUCTION DATE 18/08/2020

Part number: SU-062319



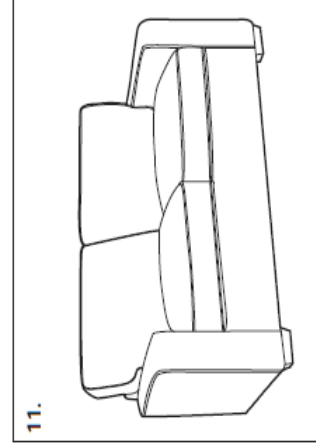
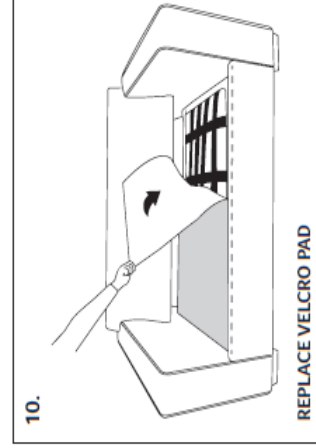
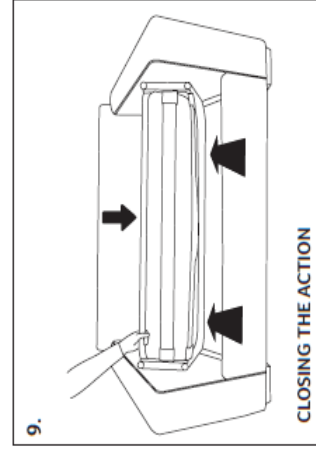
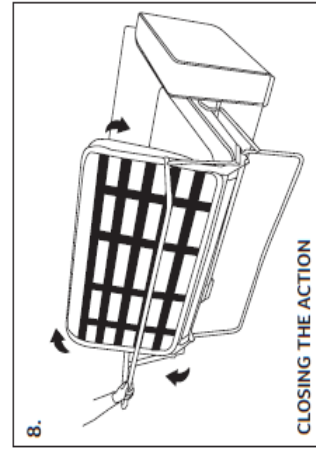
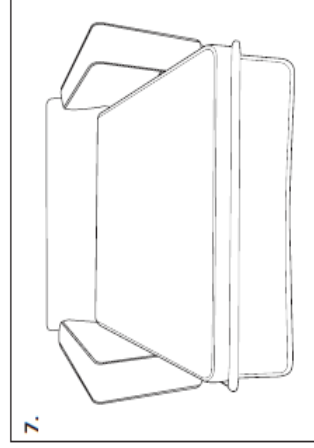
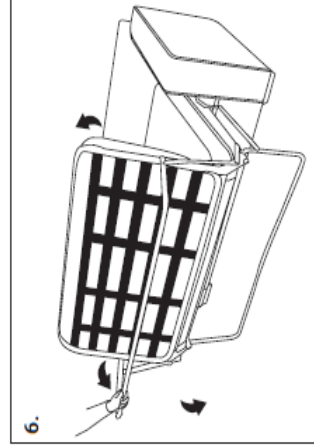
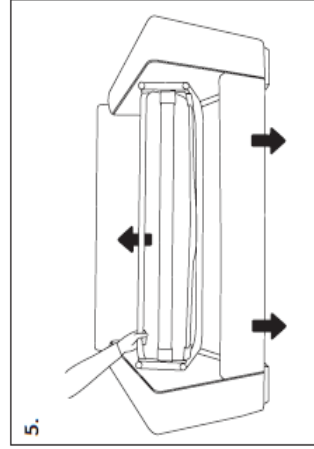
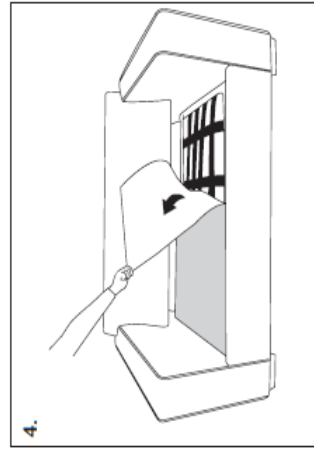
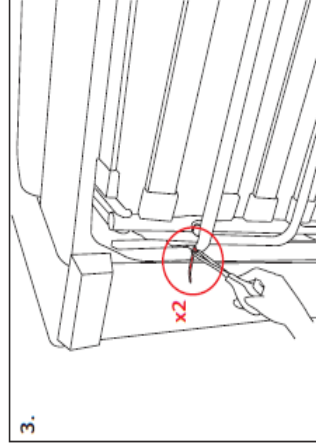
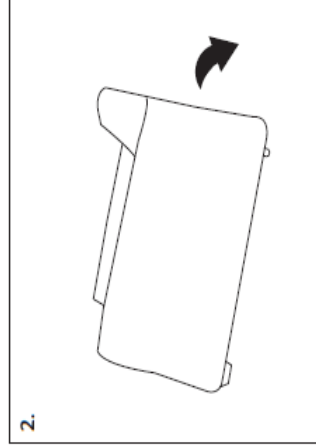
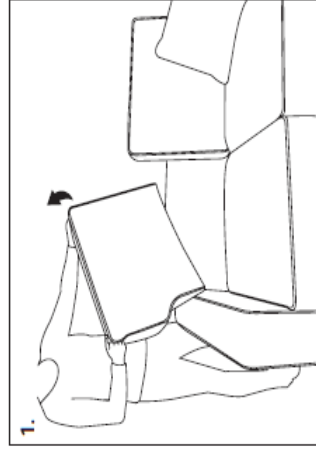
ASSEMBLY INSTRUCTIONS

**NEBRASKA
SOFA BED**

SOFA BED - OPERATION INSTRUCTIONS

FURNITURE IS HEAVY, MOVING OR LIFTING SHOULD NOT BE ATTEMPTED ON YOUR OWN

1. REMOVE BACK, SEAT & SCATTER CUSHIONS.
2. CAREFULLY PLACE THE SOFA ON ITS BACK.
3. CUT BOTH CABLE TIES (ONE EACH SIDE) TO RELEASE ACTION.
4. REMOVE VELCRO PLATFORM PAD.
5. PULL OUT SOFA BED ACTION USING A 'LIFT & PULL' MOTION.
6. PULL 'REAR LEG' TOWARDS FRONT UNTILL LEG IS ON THE FLOOR.
7. REMOVE PLASTIC WRAPPING FROM MATTRESS AND PLACE ON BASE.
8. CLOSE ACTION BY REVERSING STEP 6.
9. CLOSE ACTION BY REVERSING STEP 5.
10. REPLACE VELCRO PLATFORM PAD.
11. REPLACE BACK, SEAT & SCATTER CUSHIONS.



CLOSING THE ACTION

CLOSING THE ACTION

REPLACE VELCRO PAD

EFFECTIVE FROM PRODUCTION DATE 17/08/2020

Part Number - SU-062041