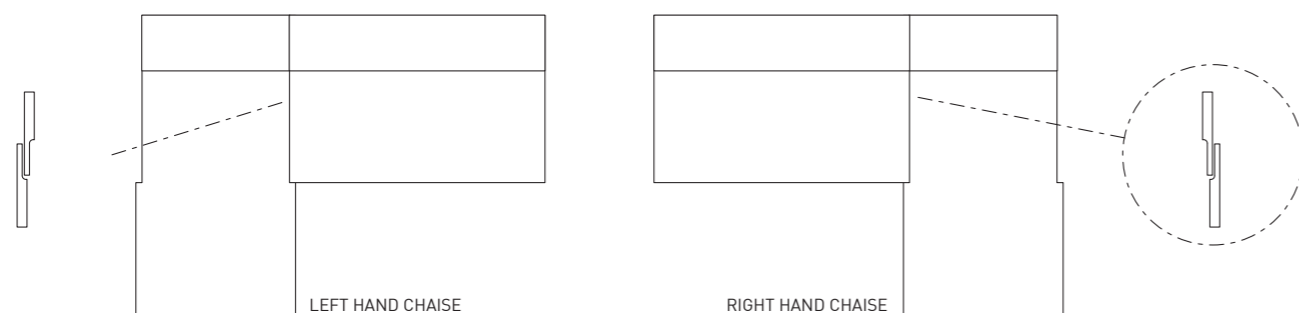
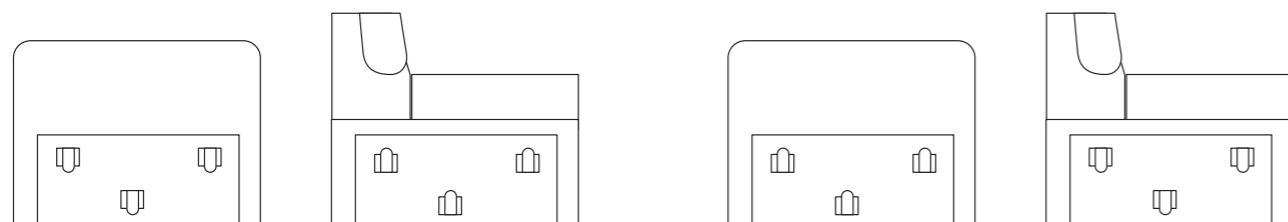


- 4** To put the sofa bed together, first choose whether the chaise should be left or right hand facing. Align the chaise and two seater sections of the sofa bed.  
The section with the downward facing brackets should be lifted up slightly so that the male and female brackets line up, then pushed down firmly so the brackets connect.



- 5** The arm with the upward facing bracket should be aligned with the other end of the sofa bed. The section with the downward facing brackets should then be lifted carefully so that it aligns with the brackets on the arm. Once the brackets are aligned, push down firmly on the sofa bed section so that the brackets connect.

The arms can then be secured on the ends of the sofa bed. The arm with the downward facing brackets should be aligned with the end of the chaise/2 seater section with upward facing brackets and then pushed down firmly to connect. Align brackets then push arm down firmly.



#### OPERATING INSTRUCTIONS

To operate the pop-up bed section of the sofa bed, grasp the strap and pull the one hand on top of the pop-up section and grasp the strap with the other hand. Pull upwards and then outwards on the strap, keeping the other hand on top of the pop-up section to ensure a smooth motion, until the pop-up section of the sofa bed is in place.

To collapse the pop-up section, grasp the strap firmly in one hand and place the other hand on top of the drawer. Pull the strap upwards and use the other hand to guide the pop-up section gently back into the drawer. Push the drawer back into the closed position.

**WARNING: PULLING TOO HARD OR FAST ON THE STRAP MAY CAUSE DAMAGE TO THE MECHANISM. TAKE CARE NOT TO TRAP FINGERS OR HANDS DURING THE OPERATING OF THIS PRODUCT. DO NOT ALLOW CHILDREN TO PLAY WITH OR RETRACT THE MECHANISM.**

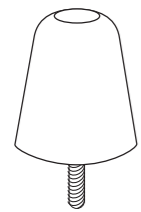
#### How to contact us

If you need any additional information or have any problems with your product, please call our customer services team on Freephone **0800 440 2254**.

# ASSEMBLY INSTRUCTIONS

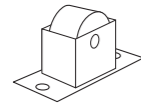
## DREAM CHAISE SOFA BED

Please check these parts are included.



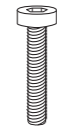
**A**  
LEGS

x10



**B**  
CASTORS

x4



**C**  
BOLTS

x8

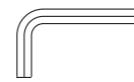


**D**  
SUPPORT LEG

x4



2 Person Assembly



**E**  
ALLEN KEY

x1

**PLEASE NOTE:**

Your Dream Chaise Sofa Bed is designed to be either left or right hand facing. There are male and female brackets on the inside of both arms and on either side of the sofa bed and chaise sections. In order for the product to be universal the brackets on each arm must point in opposing directions. Its fabric has been treated with flame retardant, and should only be cleaned with specialist upholstery products.

**CLEAN REGULARLY:**

Remove dust by pre-brushing with a soft brush. Gently vacuum all areas.

**SUNLIGHT AND HEAT:**

- Direct sunlight or heat can fade fabrics and cause them to deteriorate. Avoid this by placing your furniture away from prolonged

direct sunlight, or draw curtains and blinds when necessary.

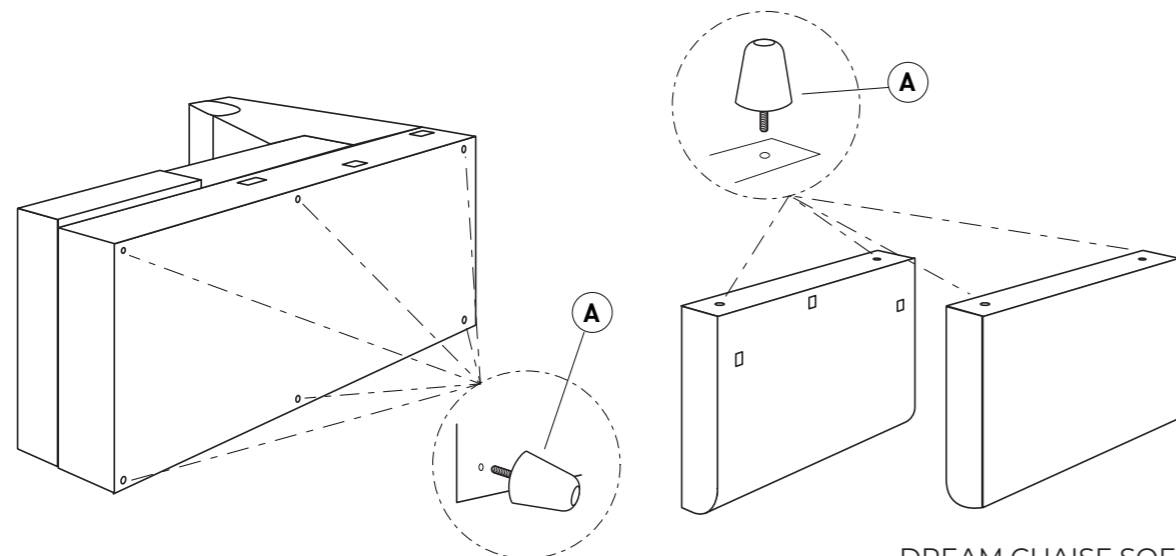
- Avoid placing furniture too close to fires or radiators.
- Change the position of furniture so the same part is not always exposed to sun or heat.

**SAFETY WARNINGS:**

**Entrapment warning:** Keep hands clear when adjusting the ratchet to avoid trapping fingers. **Do not allow children to adjust the ratchet.**

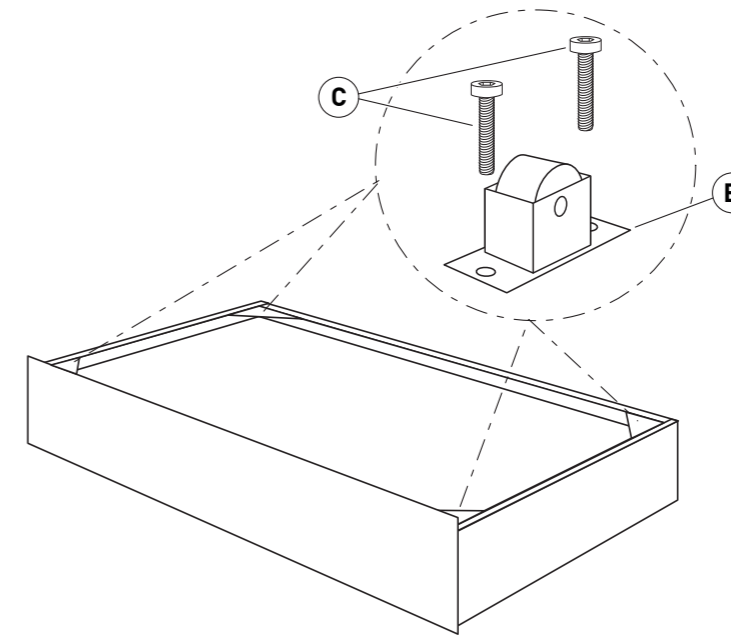
- Don't let children jump on the sofa bed.
- Don't let pets climb on the sofa bed. Upholstery may be damaged by claws, and they may carry dirt onto the fabric.
- Avoid snagging the fabric with sharp objects like buckles, toys or jewellery.
- Don't rest hot cups or mugs on the sofa bed, as it could mark the fabric.

**1** Place the chaise section and arms on a clean surface and screw in the legs (A).

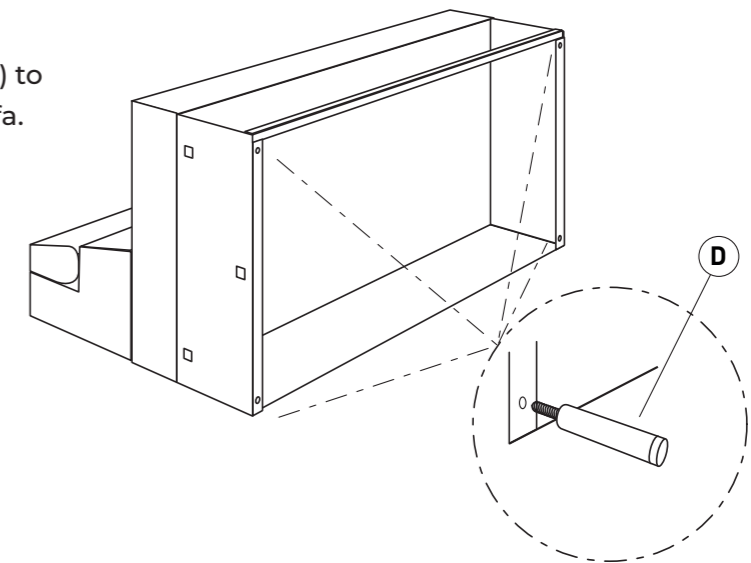


DREAM CHAISE SOFA BED

**2** Fix the four castors (B) to the underside of the pull out section using the bolts (C) and the Allen Key (E).



**3** Fix the four support legs (D) to the 2 seat section of the sofa.



**4** Carefully slide the 'pull out' section under the sofa lifting it over the stops.

